

**Installation of Storage Box**

Vehicle Type: **911 Carrera (964)  
911 Carrera (993)**

Model Year: **As of Model Year 1989**

Information: A small storage box (for eyeglasses, etc.) can be mounted on top of the ashtray cover (Figure 1).

**Important: The customer should be informed that the ashtray cover will be reworked and if the storage box is taken off, some visual changes might remain.**

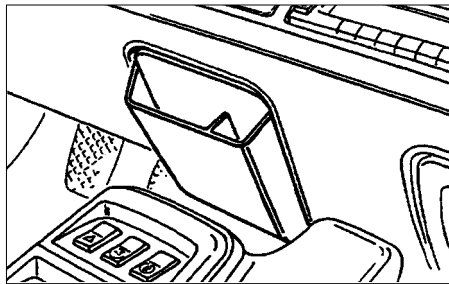


Figure 1

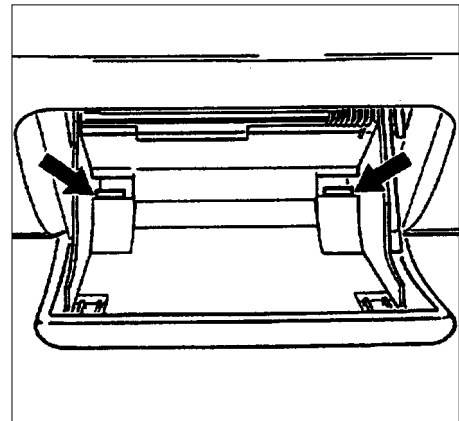


Figure 2

Installation: **1. Removal of ashtray cover.**

- Open ashtray and remove the insert.
- Push the left and right clips down (Figure 2, arrows).
- Remove the cover towards the bottom of the ashtray housing (Figure 3).

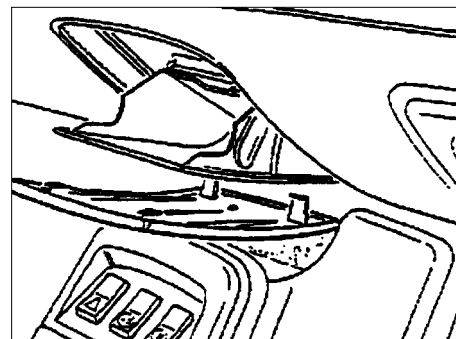


Figure 3

**Installation of storage box onto the ashtray cover**

- The following work is for leather upholstered ashtray covers.

- Push the storage box to the stop on the cover (Figure 4). It might require a little force.

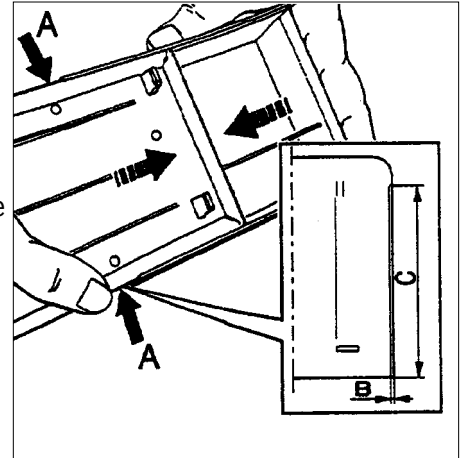
- Mark the cover as shown (Figure 4, insert). on the edges of the cover. Remove the storage box from the cover and cut the marked leather edges off.

- Push the cover fully into the storage box.

**Note: Pushing the cover into the storage box should be relatively easy. If not, the leather edges need to be reworked slightly.**

- Reinstall the ashtray cover into the ashtray housing and snap into place. Reinstall the insert. The gap between the ashtray cover and the kneebar should be 3.0mm on both sides.

- After the installation of the ashtray with the storage box, the ashtray should open and close easily. If not, the sides of the ashtray cover should be reworked again.



**Figure 4**

Parts:	<b>Part Number</b>	<b>Description</b>	<b>Qty</b>
	000 044 000 09	Storage Box	1

Labor:	<b>Labor Operation</b>	<b>Time Units</b>	<b>Description</b>
	68 16 23 00	50	Install ashtray cover with leather.
	68 16 23 03	30	Install ashtray cover with vinyl.

**Important Notice:** Porsche Cars N.A Technical Bulletins are intended for use by professional technicians, not a "Do-it-yourselfer." They are written to inform these technicians of conditions that may occur on some vehicles, or to provide information that could assist in the proper service of a vehicle. Special tools may be required to perform certain operations identified in these bulletins. Use of tools and procedures other than those recommended in these bulletins may be detrimental to the safe operation of your vehicle. Properly trained technicians have the equipment, tools, safety instructions and know-how to do a job properly and safely. If a condition is described, do not assume that the bulletin applies to your vehicle, or that your vehicle will have that condition. See your Porsche Dealer for information on whether your vehicle may benefit from the information. Part numbers listed in these bulletins are for reference only. Always check with your authorized Porsche dealer to verify correct part numbers.

©1997 Porsche Cars North America, Inc.

Dealership	Service Manager	Shop Foreman	Service Technician	_____	_____	_____	_____
Distribution	Asst. Manager	Warranty Admin.	Service Technician	_____	_____	_____	_____
Routing							

The trademarks Porsche®, Targa®, Carrera®, Boxster®, Tiptronic®, Varioram® and the Porsche Crest are registered trademarks of Dr. Ing. h.c.F. Porsche AG and its affiliate, Porsche Cars North America, Inc.